

Freestanding Bath with metal feet

Maintenance & Instructions



*** Image for installation purpose only***


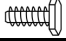



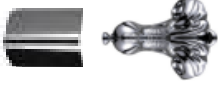
Please retain this manual after installation for future reference and maintenance

Product must be installed in compliance with relevant Water Bylaws

Important:

- * Two people are required for installation
- * Freestanding bath is not designed to take weight on the rim. Do not sit or stand on the bath rim

Parts List

No.	Part	Qty			Pic
		Option A	Option B	Option C	
A	Bar	4	4	4	
B	Screw	4	4	4	
C	Nut	12	12	12	
D	Washer	12	12	12	
E	Fastener washer	4	4	4	
F	Adjustable feet	4	4	4	

TOOLS REQUIRED

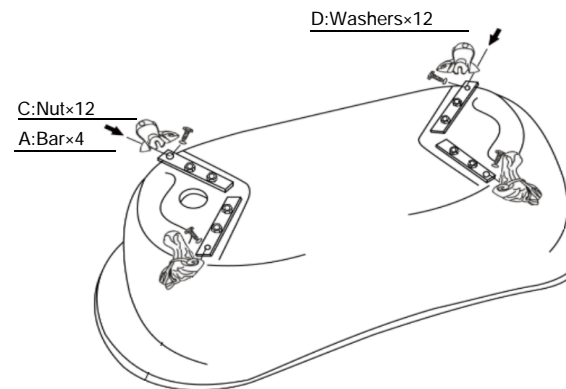


Adjustable Wrench

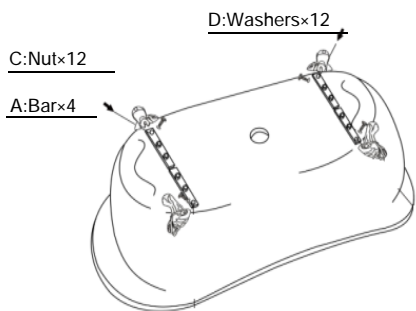
Step 1

- * Lay the bath top on the floor, make sure it is protected from scratches
- * Unscrew nuts and washers from the bath (these are pre-assembled on bath)
- * Put the bars on the bath, position washer and screws, then fasten the screws but not tighten them, because the bars need to be adjusted during assembling

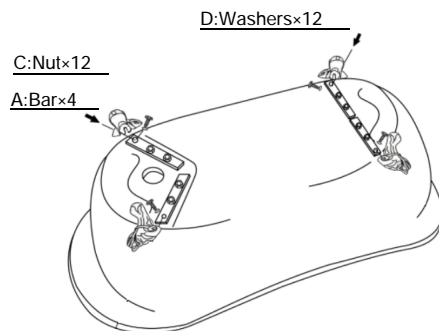
Option A



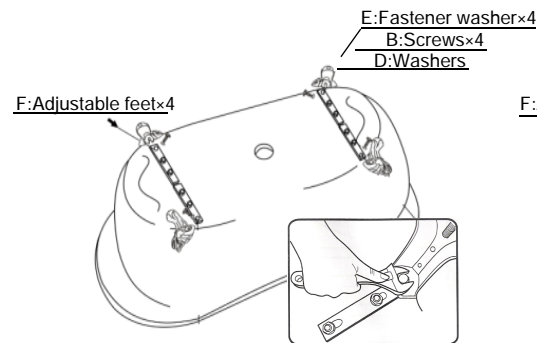
Option B



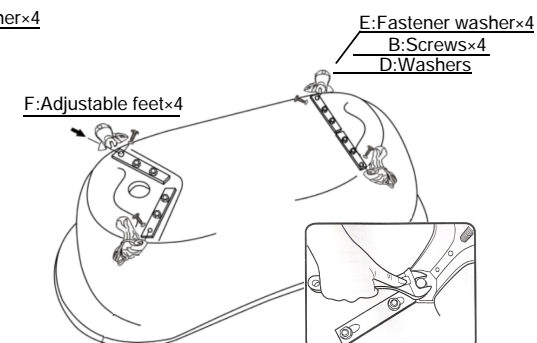
Option C



Option B



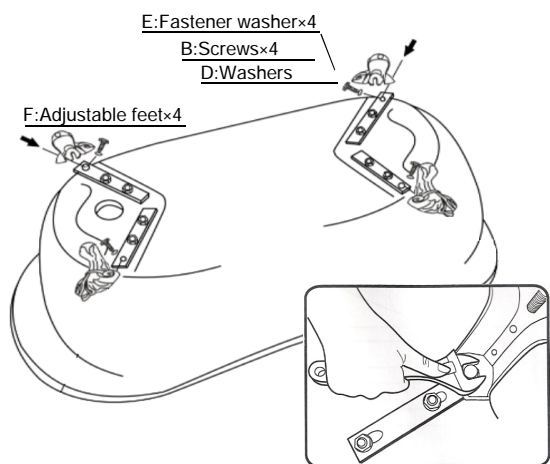
Option C



Step 2

- * Position the feet to the corner of the bath
- * Make sure the feet fit the bath well (there is no big gap between bath and feet, the bar needs to be adjusted to achieve a good fit)
- * Once the feet have been adjusted to a good position, tighten the screws on the bar to fix the bar, do not move away the feet.
- * Then use screw to fix the feet to the bar, the feet must be secured fully to prevent any movement

Option A



Receive Your Bath

- Unpack and check for damage.
After receiving your bath, please unpack and remove all covering, checking whether there is any damages. Repack the bath if it is not being immediately installed. It will be rejected any claim for damage if not notified in a timely manner.
- Protect your bath.
Before commencing installation, ensure the bath is completely protected, leave covering in place until the bathroom is complete. Scratches and cracks incurred during installation are not covered by the warranty

Cleaning & Maintenance:

- To preserve the polished surface, after using your bath, clean with soft cloth and warm soapy water to wash away any body oils or soap residue that forms a ring tide mark
- Do not use powders, pastes, crème cleaners, thinners, window cleaning sprays or dry cleaning liquid, etc.
- When coloured essentials oils are used, first test that the colour won't stain your bath. Always add oils into a bath full of water. Never pour them into a empty bath