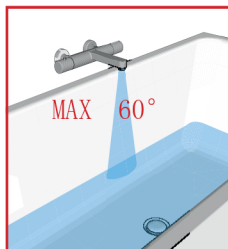


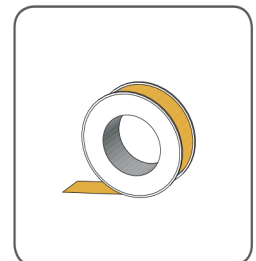
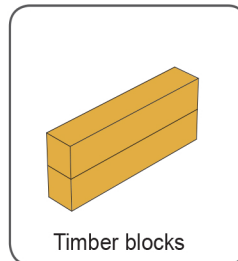
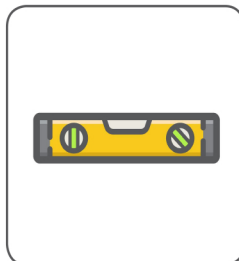
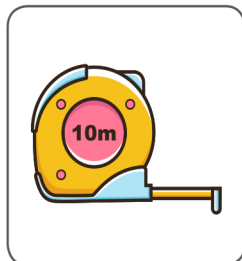
INSTALLATION INSTRUCTIONS



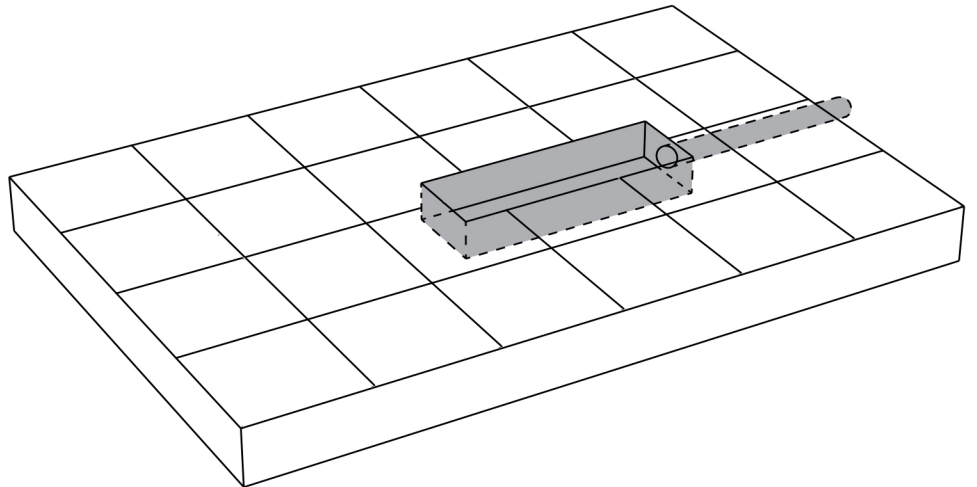
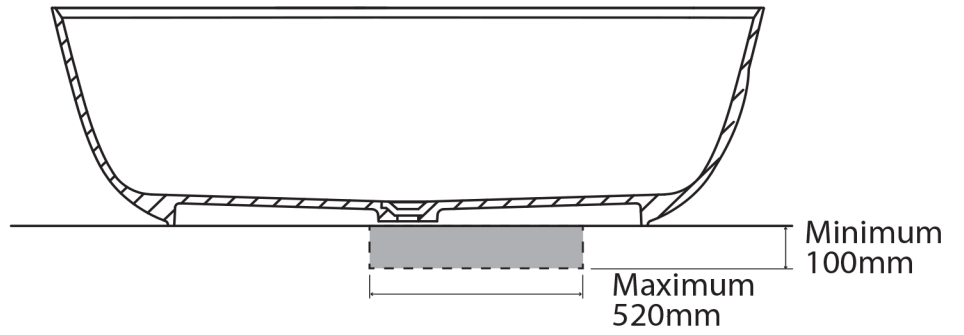
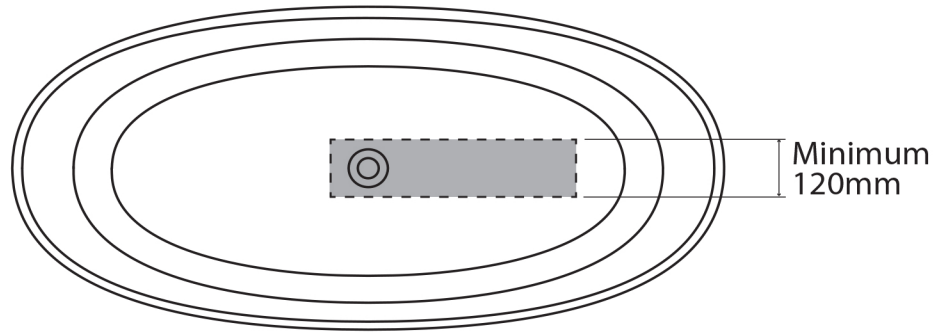
IMPORTANT



Tools And Materials Required



01

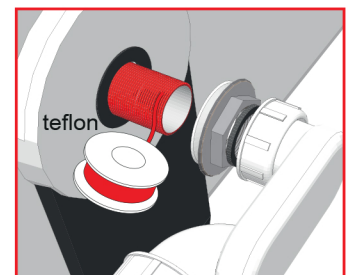
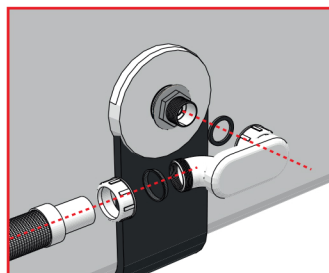


02

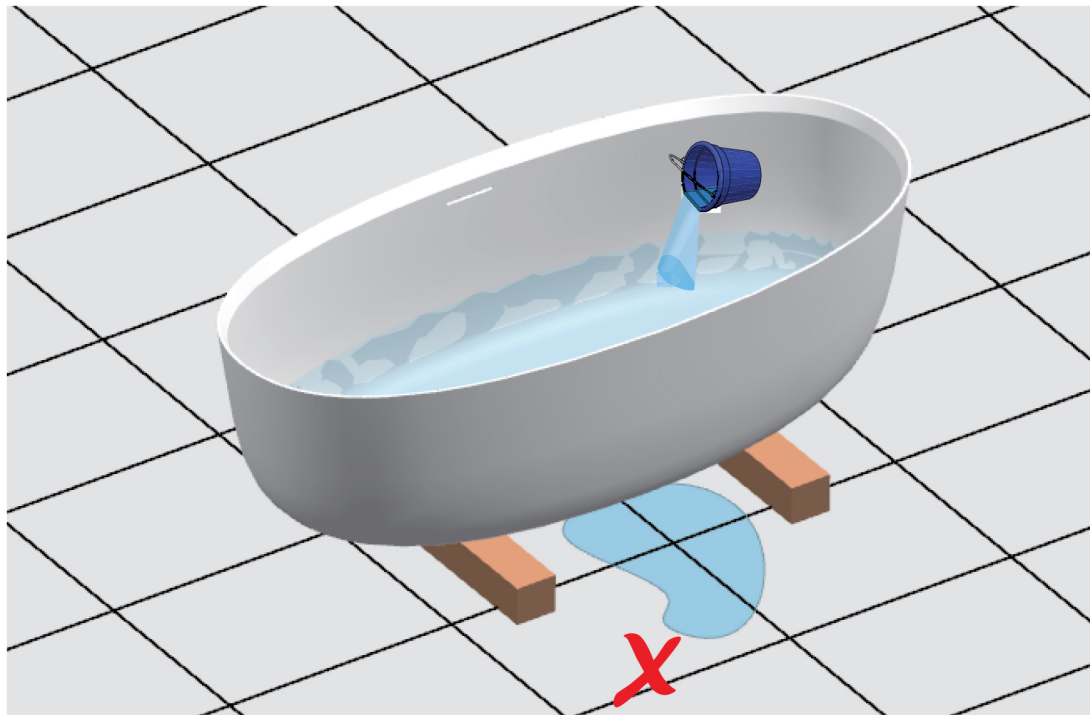


BATH TRAP NOT INCLUDED

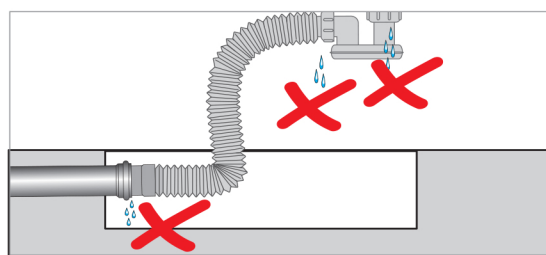
NOTE:



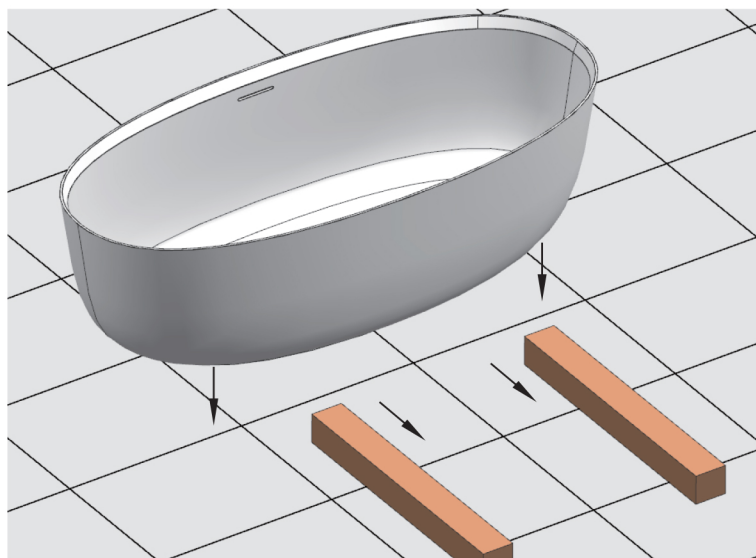
03



NOTE:



04



WARRANTY INSTRUCTIONS

Please note: Since the production of solid surface baths takes a lot of manual operations, also in the finishing, small irregularities in the surface are inevitable. and inherent to the chosen product

material. Shrinkage lines, air holes, casting marks and blemishes on the underside of the bath. Don't adversely affect performance and should not be regarded as defects.

We strongly recommend that you use a suitably qualified installer. Instructions must be adhered to. We cannot accept responsibility for incorrect installation.

Because baths are often placed on cold floors, and Solid surface baths are sensitive to thermal shock, it is highly recommended in cold periods, to run in lukewarm water for a couple of minutes before running hot water. It is recommended the hot water be no more than 60 C.

Everyday cleaning

It is advised that the Solid Surface bath is cleaned regularly, to remove any insoluble products. Warm soapy water should be used and then the bath should be wiped. Don't let cleaners soak in.

For gloss Surfaces:

Light scratches can be removed, if necessary, with very fine sandpaper. It is recommended to start with 1200 grade followed by 2500 grade. Finally use car cutting compound to polish the area to recover the gloss surface.

For Matt Surfaces

Abrasives (such as CIF) can be used on a matt Solid Surfaces with a scourer to remove stubborn stains. Light scratches can be removed if necessary with very fine sandpaper

The Solid Surface bath has good resistance properties to acids but should not come into contact with alkalis or organic solvents, such as caustic soda, and by some multi-surface cleaners, wc cleaners, Bleaches, Harsh solvents, Burning cigarettes, strong chemicals such as dry cleaning fluids , paint strippers, Acetone, Citrus based chemicals or nail varnish remover.