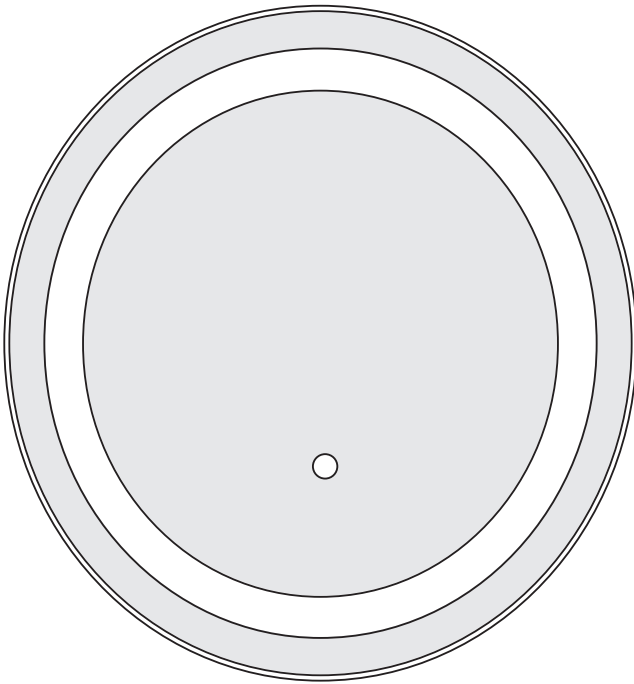


AREZZO

Installation Guide

**LED Illuminated
Anti-Fog Bathroom
Mirror**



AREZZO

Installation Guide

800mm Large Round LED Illuminated Anti-Fog Mirror

Pre Installation Notes

This product is to be fitted by a qualified professional to British standard.

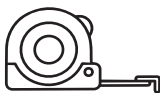
To ensure the normal use of products, it is required that the wires are set out at the installation places as per the regulations of IEE (Institution of Electrical Engineers).

It is only applicable to install the product to an indoor solid wall. The installation must be executed by a professional electrician, wrong installation may lead to product damage and/or personal injury.

Tools Required



Pencil



Tape Measure



Hammer



Screwdriver



6mm Bit



Power Drill



Spirit Level

Important Information

1. Ensure that mains power supply has been switched off before starting any electrical installation.
2. Before drilling, ensure there are no hidden cables or pipes in the wall.
3. When installing the LED mirror, please ensure that the connection to the mains supply is outside of a 60cm radius of any water source (Figure 1).
4. Ensure that the sensors are positioned at least 150mm away from any solid surface walls (Figure 2).

Figure 1

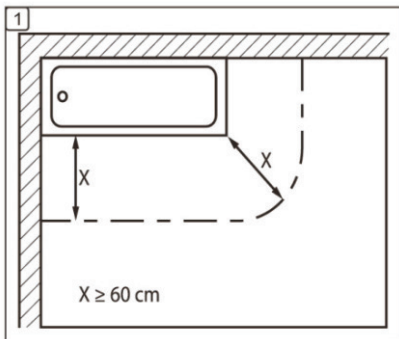
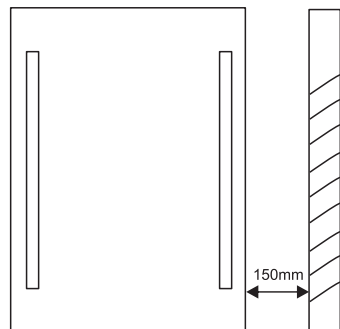
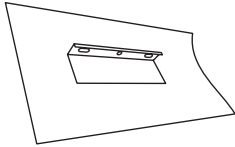


Figure 2

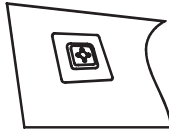


Step One

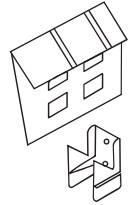
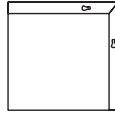
Please note that there are three different types of fixing bracket (4-1, 4-2 & 4-3). Ensure that you have identified which style of fixing bracket is used with the mirror that you have purchased.



Fixing bracket 4-1



Fixing bracket 4-2



Fixing bracket 4-3

Step Two

Measure the distance between the two holes on your fixing bracket and mark out the distance on the wall using a pencil.



Step Three

Use the spirit level to make sure the marks are level, then using your drill and 6mm drill bit, drill holes into the wall.

Step Four

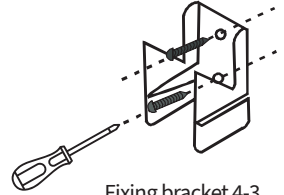
Insert the wall plugs into the wall and fix the fixing bracket to the wall according to your bracket 4-1, 4-2 or 4-3.



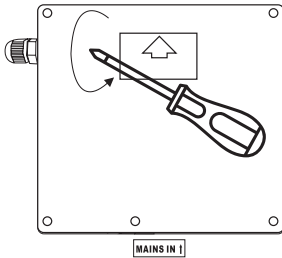
Fixing bracket 4-1



Fixing bracket 4-2



Fixing bracket 4-3

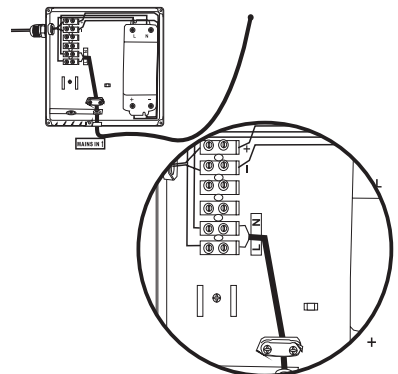


Step Five

Using the screwdriver, remove the panel on the back of the mirror.

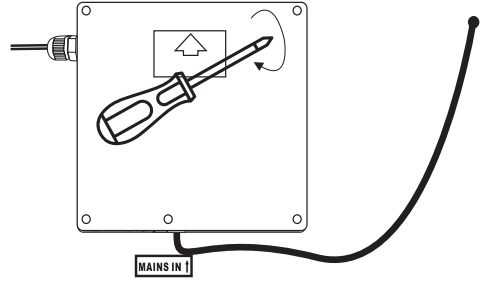
Step Six

Ensuring that the mains power supply has been switched off, connect the LED mirror to the mains electric supply.



Step Seven

Now that the mirror has been attached to the mains electric, use the screwdriver to re-attach the panel to the back of the mirror.



If the product you have ordered comes with a clock, please continue to Step Eight. If not, please move to Step Nine.



Step Eight

The clock setting button is on side of the mirror which is the nearest to clock.

1. Press and hold the “SET” button to set hour.
2. After the hour digits flash, press the “SET” button to adjust the hour
3. Press and hold the “SET” button again to set the minute.
4. After the minute digits flash, press the “SET” button to adjust the minutes.
5. Press and hold the “SET” button to complete the setting.

If the product you have ordered comes with Bluetooth, please continue to Step Nine. If not, you have completed installing your LED Bluetooth Mirror.

Step Nine

1. Press the Bluetooth button on the mirror and you will hear a short sound which means the bluetooth has be activated. The bluetooth touch switch will then turn yellow.
2. Turn on the Bluetooth function on your device and find the LED Bathroom Mirror.
3. Connect your device to the LED Bathroom Mirror and wait for a few seconds. You will then hear another short sound which means Bluetooth has connected successfully.
4. Turn on the media player on your mobile device and the speaker from the mirror will start working.



AREZZO