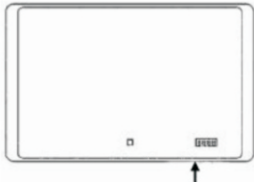


Instructions for LED bathroom mirror

STEP 4 If the product comes with a clock, please further follow below:



Clock setting button is on side of the mirror which is the nearest to clock (See above black arrows).



1. Press and hold the "SET" button to set hour.
2. After hour digits flash, press the "SET" button to adjust the hour.
3. Press and hold the "SET" button again to set minute.
4. After minute digits flash, press the "SET" button to adjust the minutes.
5. Press and hold the "SET" button to complete the setting.

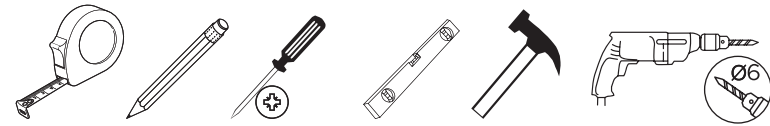
STEP 5 If the product comes with bluetooth, please further follow below:



1. Turn on the Bluetooth button on the mirror and you will hear a short voice 'Bolodo', means the bluetooth has be activated. The bluetooth touch switch turns yellow.
2. Turn on the Bluetooth function on your mobile phone and find the new equipment.
3. Connect the new equipment and wait for a few seconds and then you will also hear a short voice 'Dududu', means bluetooth has be connected sucessfully.
4. Turn on the media player on your mobile and the speaker from mirror start working.

Notes: to ensure the normal use of products, it is required set out wires as per the regulations of IEE at the installation places. The products are only applicable to being installed on the indoor solid wall, etc. The installation must be executed by a professional electrician, and wrong installation may lead to product damage and personal injury.

Tools Required(not provided)



PLEASE NOTE:

1. Ensure mains power supply is switched off before starting any electrical installation.
2. Before drilling, ensure there are no hidden cables or pipes in the wall.
3. When installing the LED mirror, please ensure the connection to the mains supply is outside of a 60cm radius of any water source (Figure 1).
4. Ensure the sensor are positioned at least 150mm away from any solid surface walls (Figure 2).

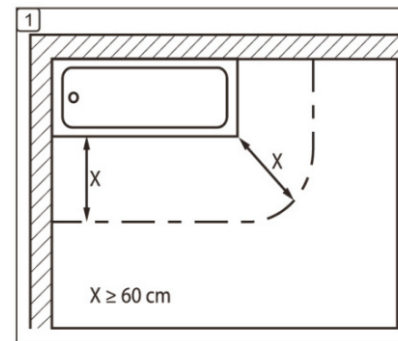


Figure 1

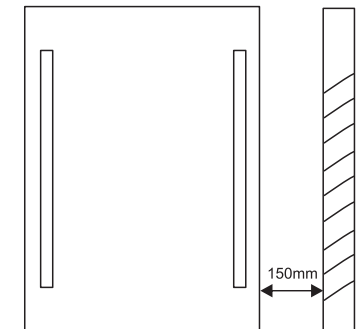
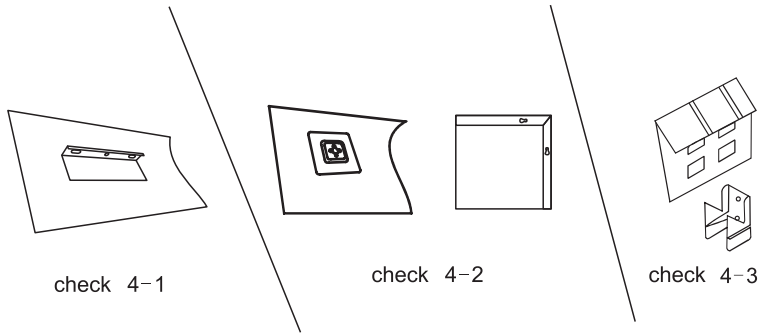


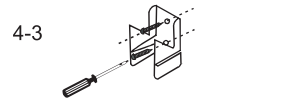
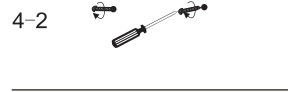
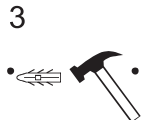
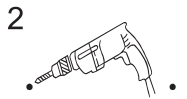
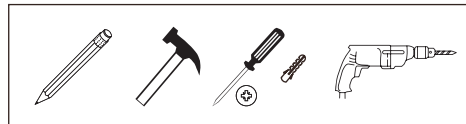
Figure 2

STEP 1



Please Note: There are three different types of fitting brackets please check which style is on the mirror you have purchased.

STEP 2



Measure the distance between the two brackets, mark the distance on the wall, check the marks are level, drill the holes, insert the wall plugs and fix according to 4-1, 4-2 or 4-3

STEP 3

