

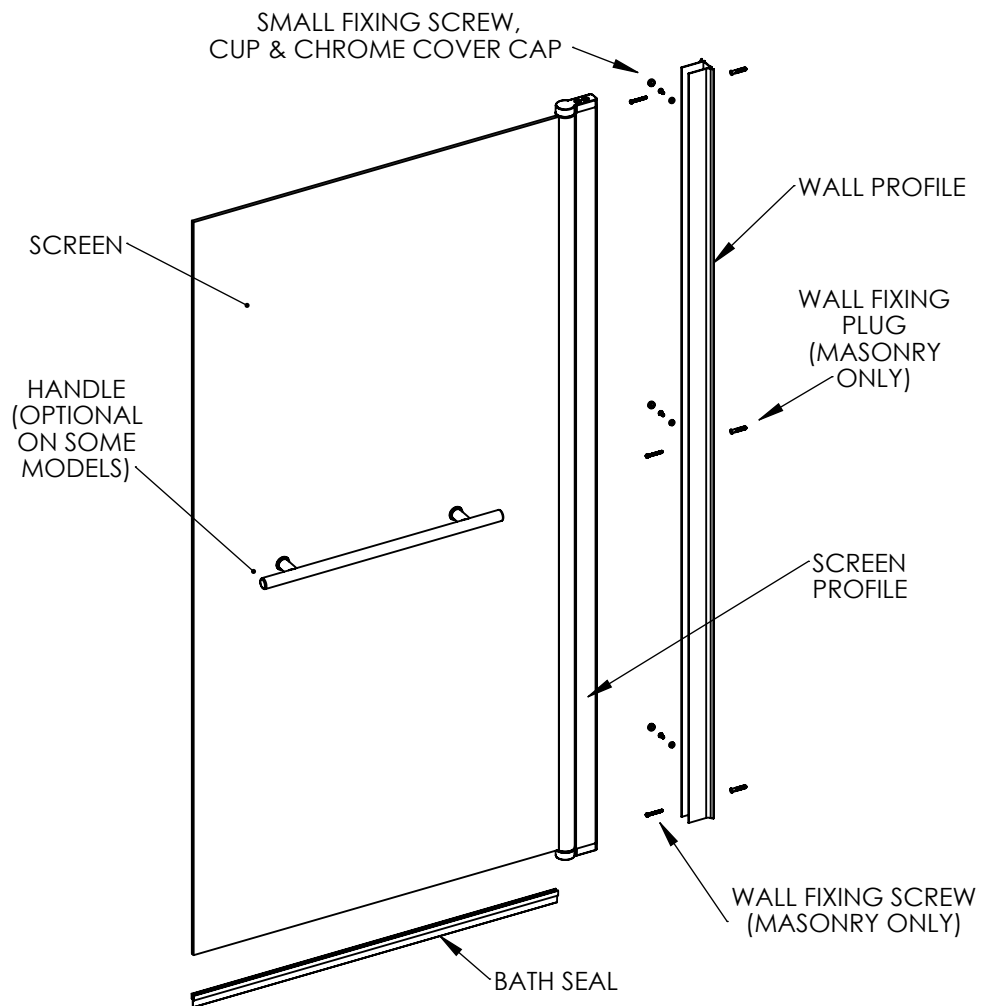
BATH SCREEN INSTALLATION

THIS INSTRUCTION COVERS OTHER MODELS, PLEASE READ **ALL** PAGES

UNPACK THE BOX AND ENSURE ALL COMPONENTS ARE PRESENT. NO REFUNDS OR REFITTING COST WILL BE GIVEN IF INCOMPLETE OR DAMAGED GOODS HAVE BEEN FITTED. THE TOUGHENED SAFETY GLASS IS MANUFACTURED TO SPECIFICATION EN12150-1 AND SHOULD BE HANDLED WITH CARE AS IMPACTS CAN DAMAGE THE GLASS AND CAUSE IT TO FAIL AT A LATER DATE.

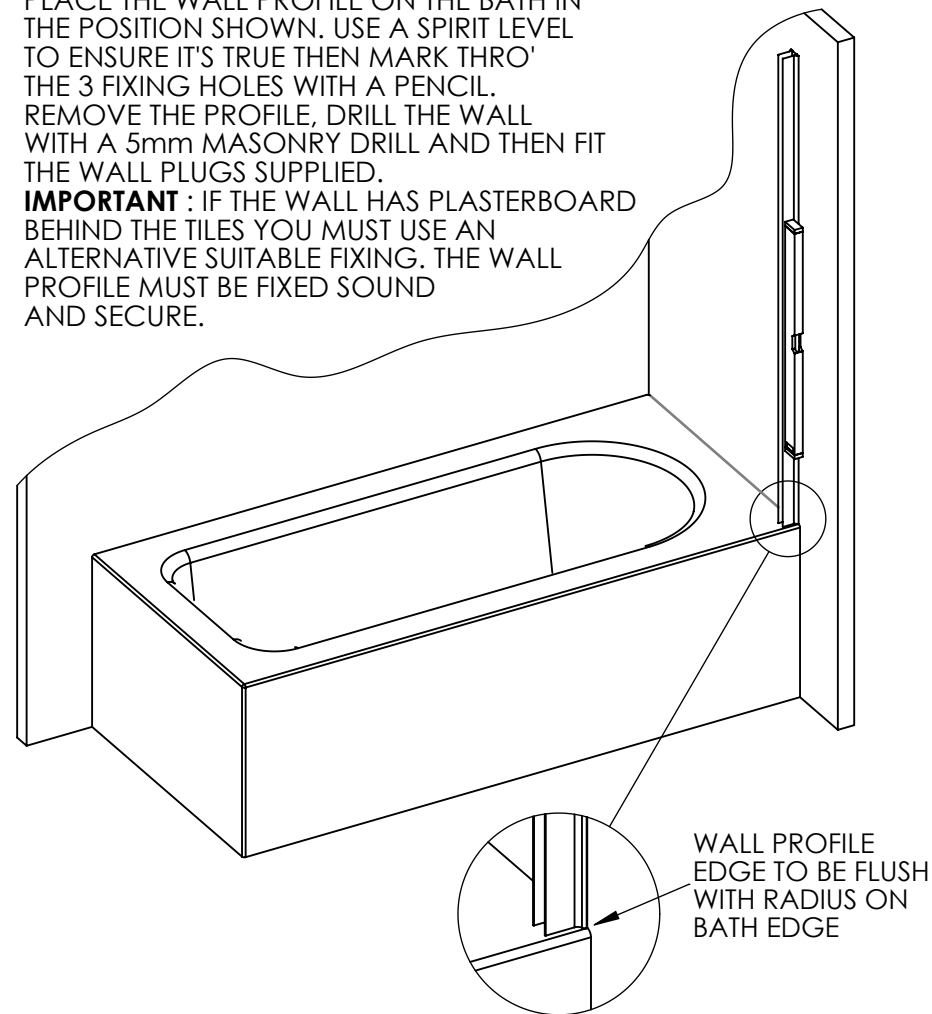
TOOLS REQUIRED

POWER DRILL - PENCIL - 5mm MASONRY DRILL BIT - 3mm HSS DRILL BIT - 8mm HSS DRILL BIT - CROSS HEAD SCREWDRIVER - SANITARY GRADE SILICONE SEALANT - SPIRIT LEVEL.



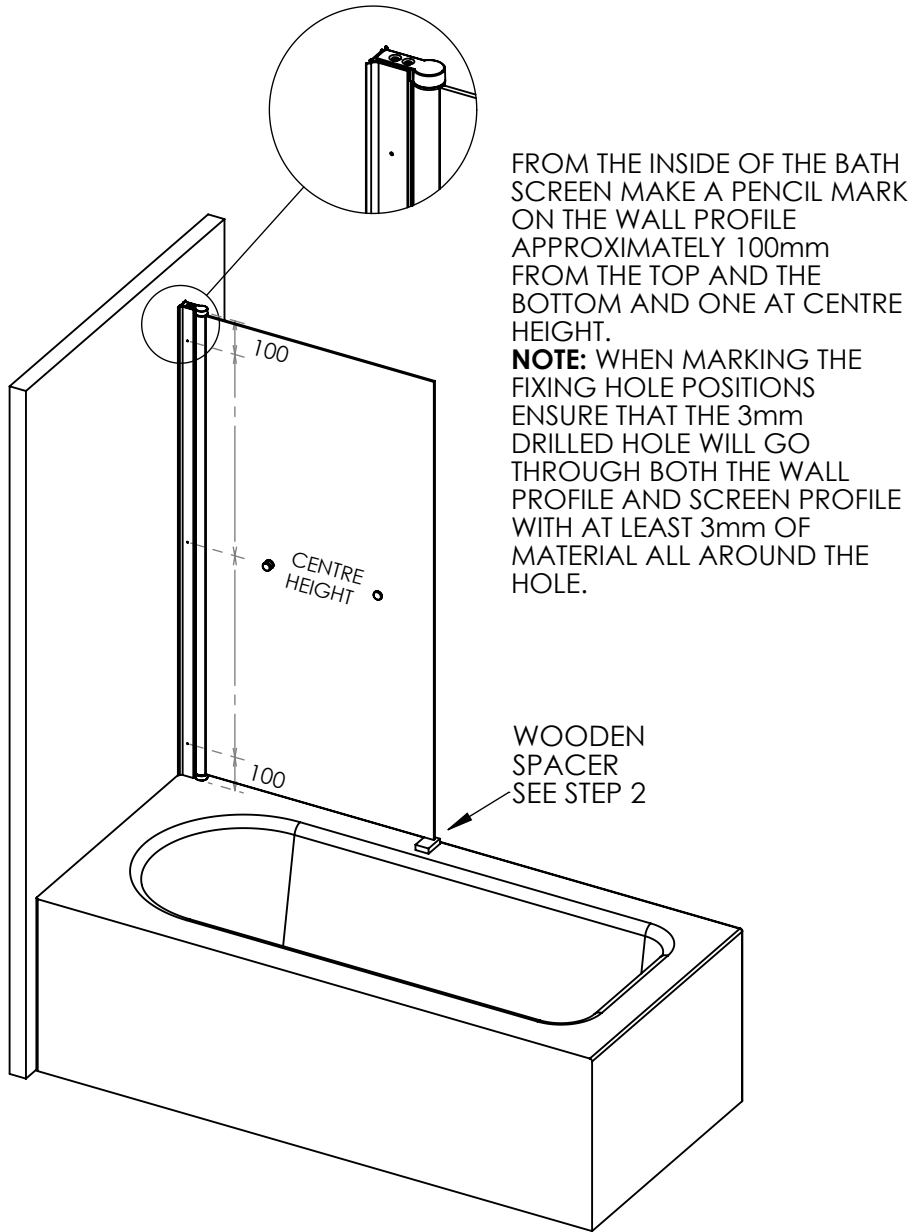
1. PLACE THE WALL PROFILE ON THE BATH IN THE POSITION SHOWN. USE A SPIRIT LEVEL TO ENSURE IT'S TRUE THEN MARK THRO' THE 3 FIXING HOLES WITH A PENCIL. REMOVE THE PROFILE, DRILL THE WALL WITH A 5mm MASONRY DRILL AND THEN FIT THE WALL PLUGS SUPPLIED.

IMPORTANT : IF THE WALL HAS PLASTERBOARD BEHIND THE TILES YOU MUST USE AN ALTERNATIVE SUITABLE FIXING. THE WALL PROFILE MUST BE FIXED SOUND AND SECURE.



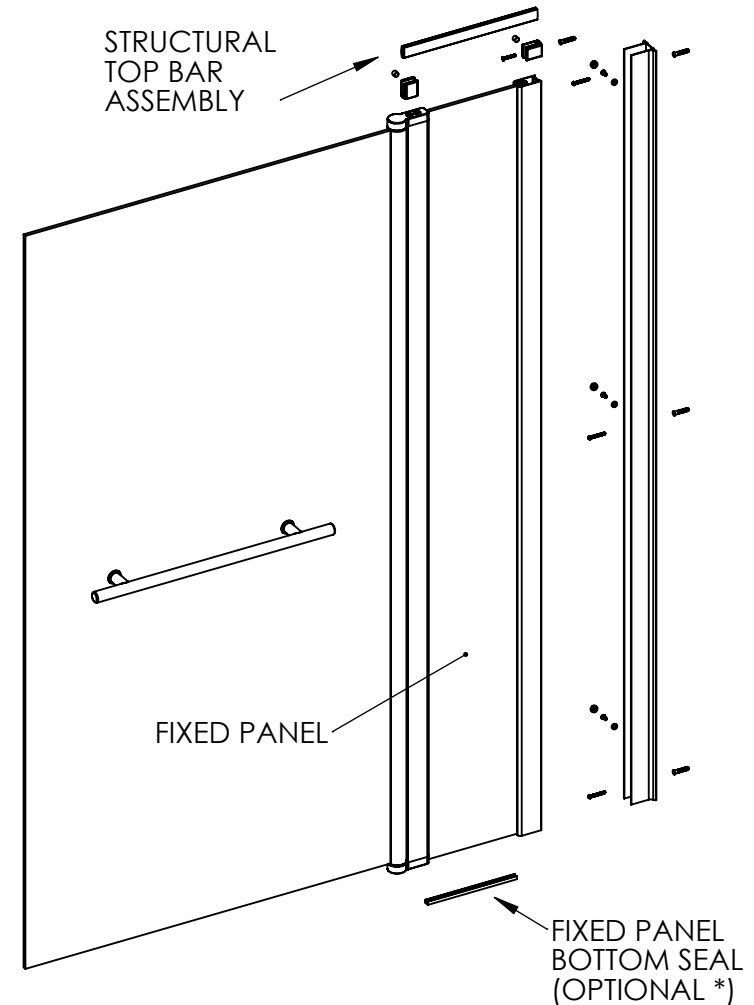
2. NOW SLIDE THE SCREEN ASSEMBLY INTO THE WALL PROFILE. THE BOTTOM EDGE OF THE GLASS PANEL **MUST** BE PARALLEL TO THE BATH TOP FACE. YOU CAN MAKE A WOODEN SPACER (18mm) TO FIT UNDER THE GLASS SO THERE IS AN EQUAL GAP ALL THE WAY LONG. THE SPACER WILL ALSO SUPPORT THE SCREEN PARALLEL WHILST YOU FIX IT IN PLACE.

3.



FIT THE SMALL SCREWS, CUP WASHER AND CHROME CAP IN 3 POSITIONS. THE SCREEN IS NOW FIXED IN PLACE

FITTING A SCREEN WITH A FIXED GLASS PANEL.



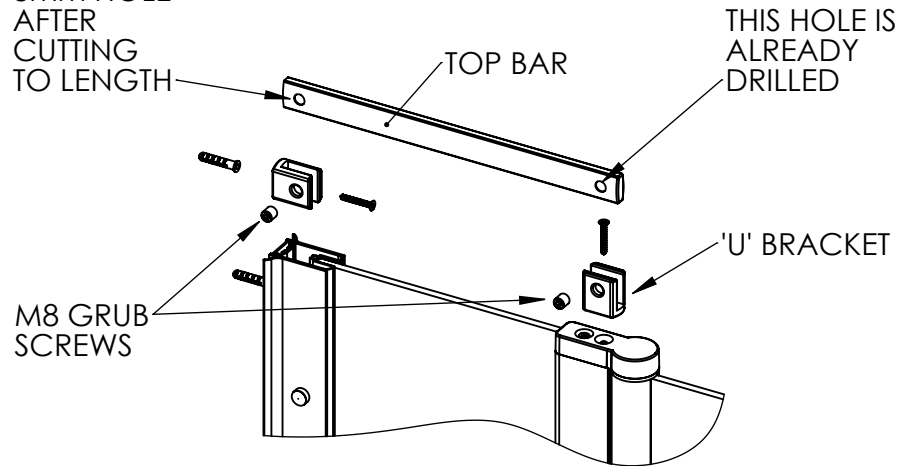
FIT THIS SCREEN IN EXACTLY THE SAME WAY AS STEPS 1,2 &3 BUT FIT THE FIXED PANEL BOTTOM SEAL IN PLACE BEFORE YOU SLIDE IT INTO THE WALL PROFILE (* THIS SEAL IS OPTIONAL AS YOU CAN USE SILICONE SEALANT INSTEAD) .

VERY IMPORTANT - THE TOP BAR ON SCREENS WITH A FIXED PANEL HAS TO BE FITTED **SECURELY** TO THE WALL AS THIS IS A STRUCTURAL PART OF THE SCREEN. IT IS **NOT** AN OPTIONAL DECOR FITTING, **IT IS AN ESSENTIAL STRUCTURAL PART.**

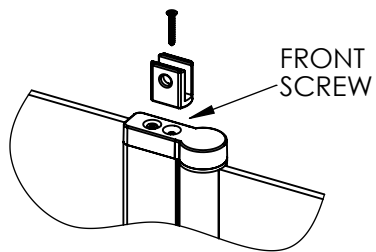
4.

FITTING STRUCTURAL TOP BAR
(VIEWED FROM INSIDE OF SCREEN)

FITTER TO DRILL THIS 8mm HOLE AFTER CUTTING TO LENGTH

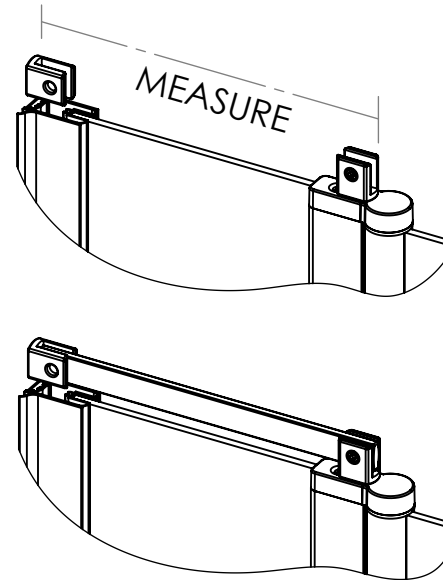
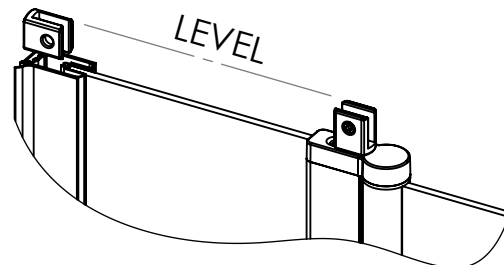


REMOVE THE FRONT SCREW FROM THE SCREEN TOP CAP AND THEN REFIT THROUGH THE 'U' BRACKET



FIT THE 'U' BRACKET TO THE WALL

IMPORTANT : IF THE WALL HAS PLASTERBOARD BEHIND THE TILES YOU MUST USE AN ALTERNATIVE SUITABLE FIXING. THE WALL 'U' BRACKET **MUST** BE FIXED SOUND AND SECURE AS IT IS LOAD BEARING.



MEASURE FROM THE INSIDE FACE OF THE WALL 'U' BRACKET TO THE FRONT FACE OF THE SCREEN 'U' BRACKET AND CUT THE TOP BAR 2mm SHORTER

FIT TOP BAR AND INSERT M8 GRUB SCREW IN SCREEN 'U' BRACKET.

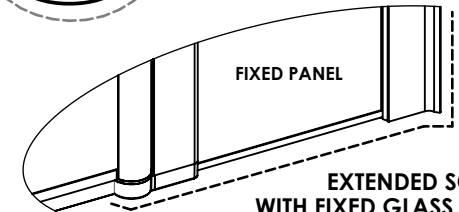
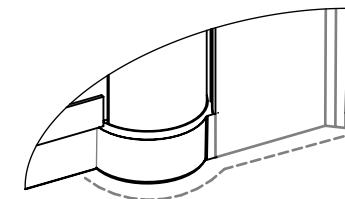
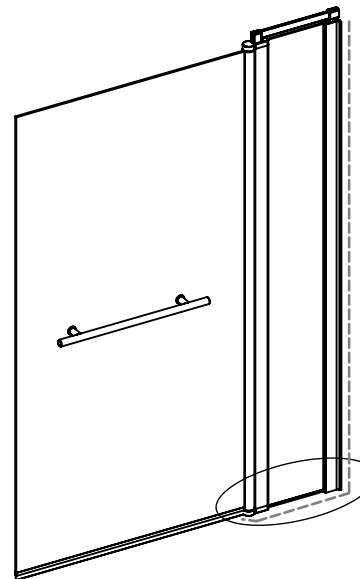
SCRIBE THROUGH HOLE IN WALL 'U' BRACKET.

REMOVE BAR AND DRILL AN 8mm HOLE THROUGH THE MARKED POSITION. (ONE SIDE ONLY).

YOU MAY NEED TO USE A SERIES OF DRILL BITS TO GET TO THE 8mm DIA.

NOW REFIT THE TOP BAR IN THE 'U' BRACKETS AND FIT THE M8 GRUB SCREWS. **IMPORTANT** - THE SCREWS MUST PASS INTO THE CENTRE OF THE TOP BAR THROUGH THE SIDE WALL SO THE BAR CANNOT SLIP OUT OF THE 'U' BRACKETS.

5. FIT SCREEN BATH SEAL TO GLASS PANEL AND SILICONE AS BELOW - - - - ALLOW 24 HOURS TO DRY BEFORE USING.



AFTERCARE: ENSURE YOU CLEAN YOUR PRODUCT USING A MILD DETERGENT DILUTED IN WATER REMOVING ANY RESIDUE WITH A SOFT DAMP CLOTH.

MAINTENANCE: ENSURE MOVING PARTS ARE FREE FROM DEBRIS OR SOAP BUILD UP.

