

POLYMARBLE BASIN FITTING & CARE INSTRUCTIONS

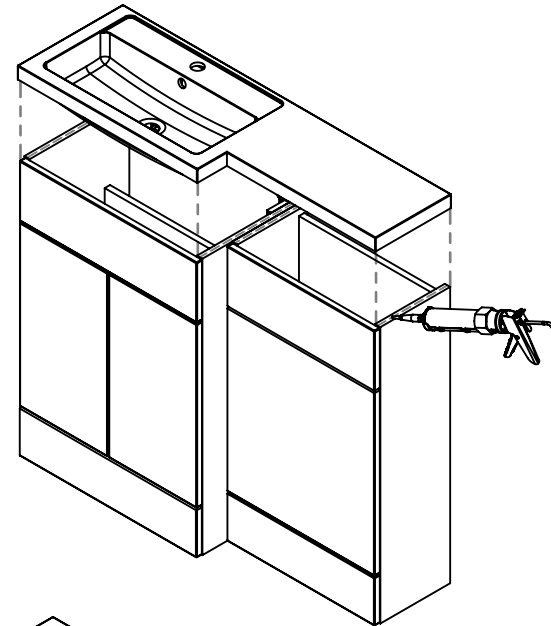
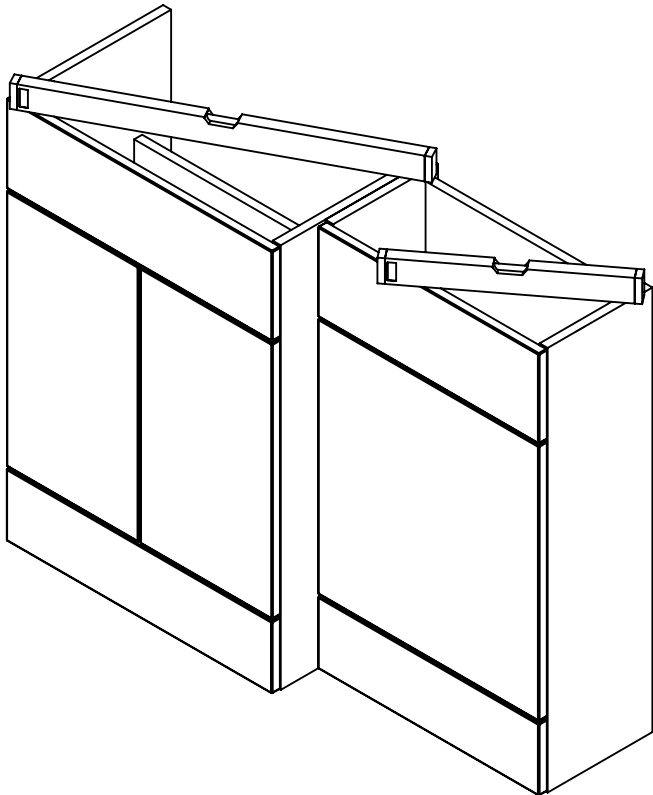
PLEASE READ ALL THE INSTRUCTION FULLY BEFORE PROCEEDING.

BEFORE FITTING THE PRODUCT, PLEASE INSPECT THE WASH BASIN FOR ANY DEFECTS OR DAMAGE. WHEN FITTING THE BASIN, MAKE SURE TO PROTECT THE SURFACE FINISH AGAINST SCRATCHES AND MARKS THAT CAN BE CAUSED BY INSTALLATION OR ROUGH SURFACES. FIT ANY ADDITIONAL PRODUCTS SUCH AS THE WASTE AND TAPS (NOT SUPPLIED) AS PER THE MANUFACTURES INSTRUCTION.

1. MAKE SURE THAT THE CABINETS ARE LEVEL AND FLUSH BEFORE PROCEEDING WITH THIS INSTALLATION.

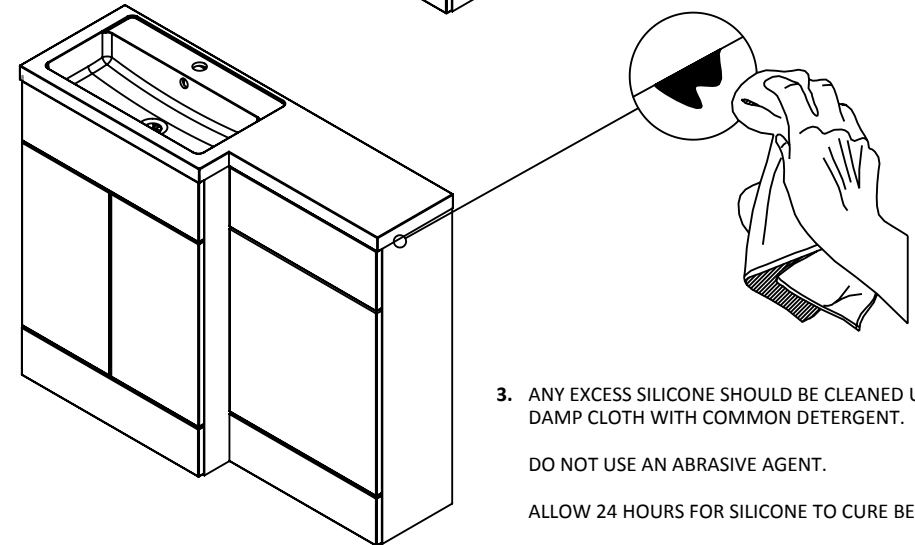
YOU MAY NEED TO SOURCE ALTERNATIVE WALL FIXINGS DEPENDING ON THE MATERIAL AND STRENGTH OF THE WALL YOU'RE FIXING TO.

IF ANY FURTHER WORK AROUND THE BASIN NEEDS TO BE CARRIED OUT, SUCH AS TILING OR THE FITTING OF A MIRROR, PROTECT THE BASIN AND CABINET WITH A COVER OR OLD BLANKET.



2. RUN A BEAD OF SILICONE ALONG THE TOP EDGES OF THE CABINET WHERE THE BASIN SITS.

PLACE THE BASIN ONTO THE CABINET ENSURING ALIGNMENT IS CORRECT.



3. ANY EXCESS SILICONE SHOULD BE CLEANED USING A SOFT DAMP CLOTH WITH COMMON DETERGENT.

DO NOT USE AN ABRASIVE AGENT.

ALLOW 24 HOURS FOR SILICONE TO CURE BEFORE USE.

CARE & MAINTENANCE

CLEAN THE PRODUCT WITH WARM SOAPY WATER OR A VERY MILD DETERGENT.

DO NOT USE DETERGENTS OR ABRASIVE CLEANERS.

SMALL MARKS AND MINOR SCRATCHES CAN BE BUFFED OUT USING A FINE T-CUT COMPOUND.

DO NOT POUR BOILING WATER OR STAND VERY HOT OBJECTS ON THE SURFACE AS THIS CAN DAMAGE THE FINISH.

GENERAL TOLERANCES

PLEASE NOTE THAT THE DIMENSIONAL TOLERANCE OF THIS PRODUCT MAY VARY UP TO 5mm DUE TO THE MANUFACTURING PROCESS.

WE HAVE TAKEN GREAT CARE TO ENSURE THAT THIS PRODUCT REACHS YOU IN GOOD CONDITION. HOWEVER SHOULD ANY PARTS BE DAMAGED OR MISSING PLEASE CONTACT YOUR LOCAL BRANCH. THIS DOES NOT AFFECT YOUR STATUTORY RIGHTS. IN ADDITION IF YOU REQUIRE REPLACEMENT PARTS YOUR LOCAL BRANCH WILL BE HAPPY TO ASSIST.